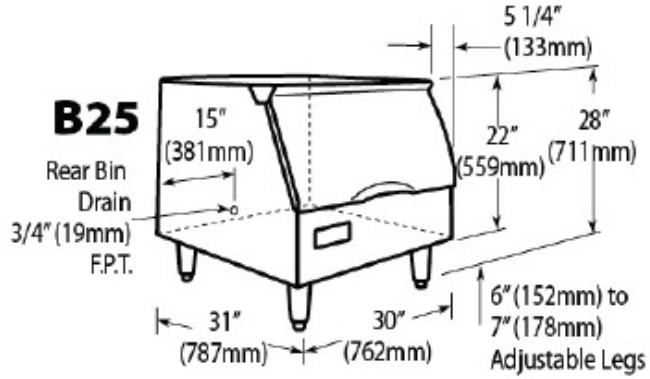


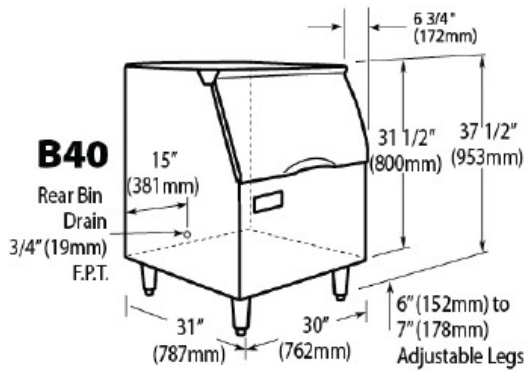


SERVITOTAL, C.A
 valencia Edo. Carabobo
 RIF: J-31323937-2
 TLF: 0241-3172685- 0414-1420709

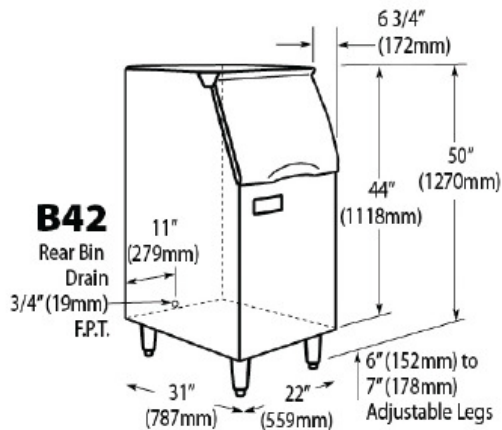
COTIZACION DEPOSITOS (BINES)



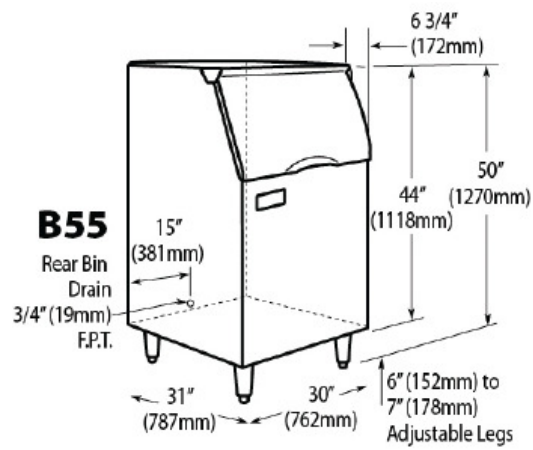
10,900.00 Bs. + IVA



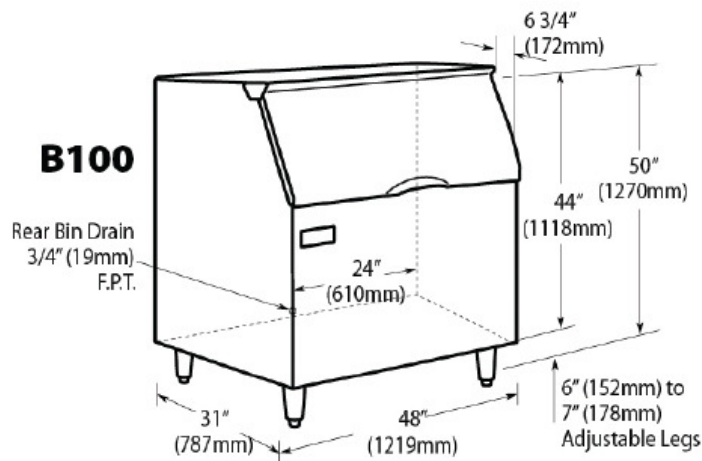
12,800.00Bs + IVA



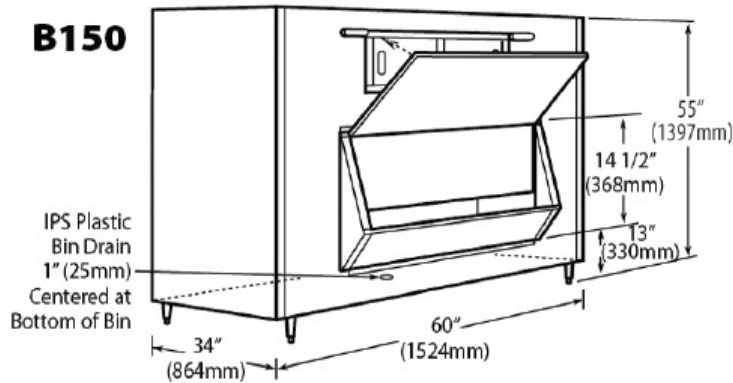
13,700.00BS + IVA



14,900.00 + IVA



21,100.00Bs + IVA



49.300,00Bs + IVA