

# KM-1300S\_H

## STACKABLE ICE CUBER

Item # \_\_\_\_\_

Project: \_\_\_\_\_

Qty: \_\_\_\_\_

\*AutoCad available on KCL

KM-1300S\_H

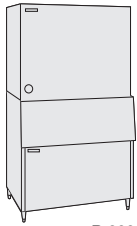
4/08

Item # 13035

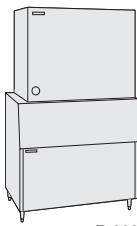
### CUBER DIMENSIONS

W x D x H

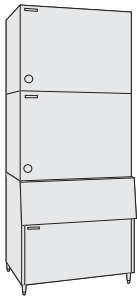
**KM-1300S\_H**  
48 x 27<sup>3/8</sup> x 27<sup>3/8</sup>



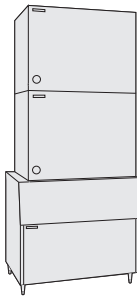
B-800



B-900



B-800



B-900

### KM-1300SAH

Air-Cooled

### KM-1300SWH

Water-Cooled

Shown on an optional  
B-900

### KM-1300SRH

Remote Air-Cooled






Also available on Large Bins:

B-1150SS

B-1300SS

B-1500SS

B-1650SS

- Up to 1296 lbs. of ice production per 24 hours
- Durable stainless steel exterior
- Protected by *HoshiGuard* Antimicrobial Agent 
- CycleSaver® design 
- EverCheck® alert system 
- Individual crescent cube
- Stainless steel evaporator
- Stackable for 2592 lbs. per 24 hour ice production in the same floor space
- Removable air filters (Air-cooled model only)
- R-404A Refrigerant
- Complies with California Energy Commission guidelines (CEC)



### Warranty

Valid in United States, Canada, Puerto Rico, & U.S. Territories. Contact factory for warranty in other countries.

**Three Year** - Parts & Labor on entire machine.

**Five Year** - Parts & Labor on: Evaporator.

**Five Year** - Parts on: Compressor, air-cooled condenser coil.



# Hoshizaki

## KM-I300S\_H STACKABLE ICE CUBER

**DIMENSIONS**  
W x D x H  
**KM-I300S\_H**  
48 x 27<sup>3/8</sup> x 27<sup>3/8</sup>

### STACKABLE ICE CUBER

- Air-cooled
- Water-cooled
- Remote Air-cooled

#### AIR - COOLED

| Water Temp ° F. | 50°  | 70°  | 90°  |      |
|-----------------|------|------|------|------|
| Air Temp ° F.   | 70°  | 1283 | 1242 | 1135 |
| 80°             | 1252 | 1188 | 1053 |      |
| 90°             | 1242 | 1143 | 1017 |      |

#### WATER - COOLED

| Water Temp ° F. | 50°  | 70°  | 90°  |      |
|-----------------|------|------|------|------|
| Air Temp ° F.   | 70°  | 1284 | 1282 | 1208 |
| 80°             | 1283 | 1280 | 1166 |      |
| 90°             | 1282 | 1278 | 1180 |      |

#### REMOTE AIR - COOLED

| Water Temp ° F. | 50°  | 70°  | 90°  |      |
|-----------------|------|------|------|------|
| Air Temp ° F.   | 70°  | 1296 | 1257 | 1173 |
| 80°             | 1266 | 1206 | 1105 |      |
| 90°             | 1257 | 1163 | 1068 |      |

#### UTILITY CONSUMPTION

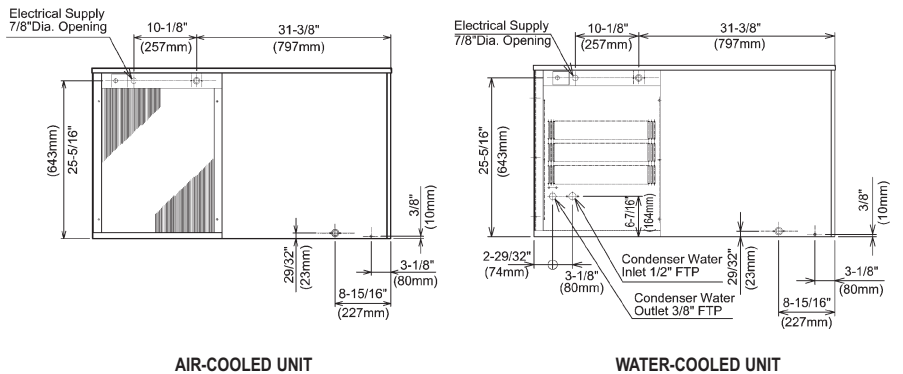
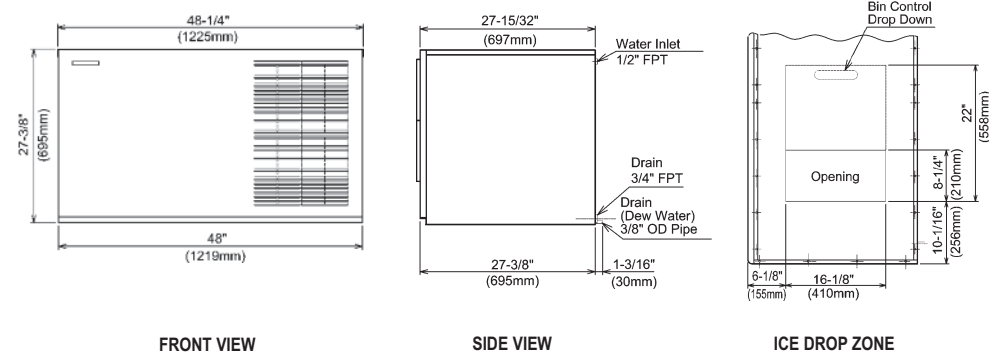
| Model Number | Ice Production Per Cycle |       | KWH per 100 LBS. | Potable Water Gal. per 100 lbs. | Condenser Water Gal. per 100 lbs. |
|--------------|--------------------------|-------|------------------|---------------------------------|-----------------------------------|
|              | Lbs.                     | Cubes |                  |                                 |                                   |
| KM-1300SAH   | 30.1                     | 1440  | 4.9              | 28.6                            | N/A                               |
| KM-1300SWH   | 30.1                     | 1440  | 4.0              | 22.1                            | 72                                |
| KM-1300SRH   | 30.1                     | 1440  | 4.8              | 30.5                            | N/A                               |

#### SPECIFICATIONS

| Model Number | Condenser         | Amperage | Min. Circuit Ampacity | Shipping Weight |
|--------------|-------------------|----------|-----------------------|-----------------|
| KM-1300SAH   | Air-Cooled        | 12.6     | 20                    | 325 lbs.        |
| KM-1300SWH   | Water-Cooled      | 9.7      | 20                    | 325 lbs.        |
| KM-1300SRH   | Remote Air-Cooled | 14.5     | 20                    | 325 lbs.        |

#### STORAGE BINS

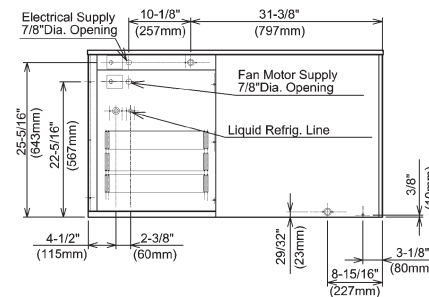
| Model Number | Application Capacity | ARI-Rated Capacity |
|--------------|----------------------|--------------------|
| B-800        | 800 lbs.             | 600 lbs.           |
| B-900        | 900 lbs.             | 660 lbs.           |
| B-1150       | 1150 lbs.            | N/A                |
| B-1300       | 1275 lbs.            | N/A                |
| B-1500       | 1490 lbs.            | N/A                |
| B-1650       | 1605 lbs.            | N/A                |



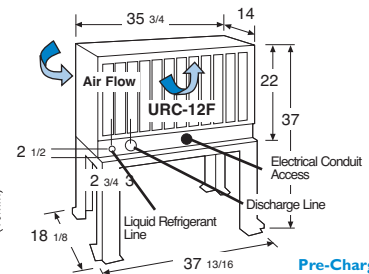
AIR-COOLED UNIT

WATER-COOLED UNIT

**URC-12F Remote Condenser** (Sold Separately)  
For Use with KM-1300SRH



REMOTE AIR-COOLED UNIT



**Pre-Charged Tubing Kits**  
(Sold Separately)  
20' R404-2068-2  
35' R404-3568-2  
55' R404-5568-2

**Voltage supply for the URC Remote Condenser is supplied from the Ice Maker. No additional circuit is required.**

#### ELECTRICAL & PLUMBING/KM-I300S\_H

- 208 - 230V/60/1 (3 wire with neutral for 115V)
- 20 amp Max Fuse
- 1/2" OD copper or equivalent independent potable water supply
- 3/4" FPT independent drain connection



© HOSHIZAKI AMERICA, INC.

#### OPERATING LIMITS

- Ambient Temp Range 45 - 100°F
- Water Temp Range 45 - 90°F
- Water Pressure 10 - 113psig
- Voltage Range 187 - 253V

#### CONDENSING UNIT

- Voltage Range 104 - 127V
- Ambient Temp Range -20 - 122°F

#### SERVICE

- Panels easily removed and all components accessible for service.
- Removable/cleanable air filters. (Air-cooled model only)

